

(START) TRAFFIC LIGHT COUNTDOWN MODULE

Traffic light countdown module

Why have a standard Traffic Light ? This one gives red, orange and green light and counts down. The Sliding experience begins here

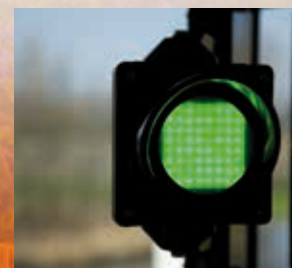
At the start of the slide a traffic light can be placed on the upper side of the flange or on a wall. The Traffic light counts down and points out in seconds how long it will take before the slider can go down the slide.



Effects



TRAFFIC LIGHT COUNTDOWN



! = (START)
PRODUCTS AT
THE START OF
THE SLIDE...



The display will be red until the slider can start his run within 5 seconds, this builds up the excitement. The last 5 seconds the display will be orange and counts down then turns green when the slider can start....

The traffic light is suitable to use as stand alone on timer mode or as a LAN product in the iSlide network.

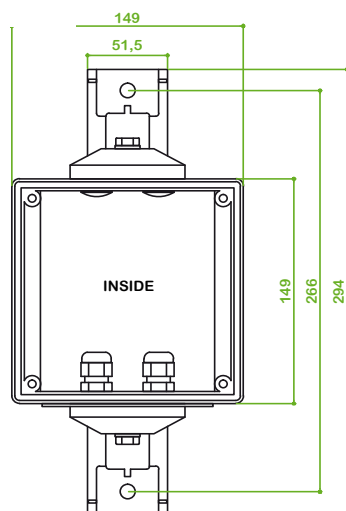


(START)

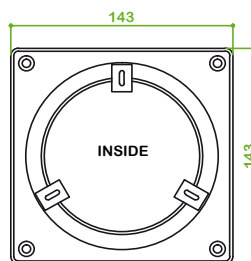
TRAFFIC LIGHT COUNTDOWN MODULE

SLIDE

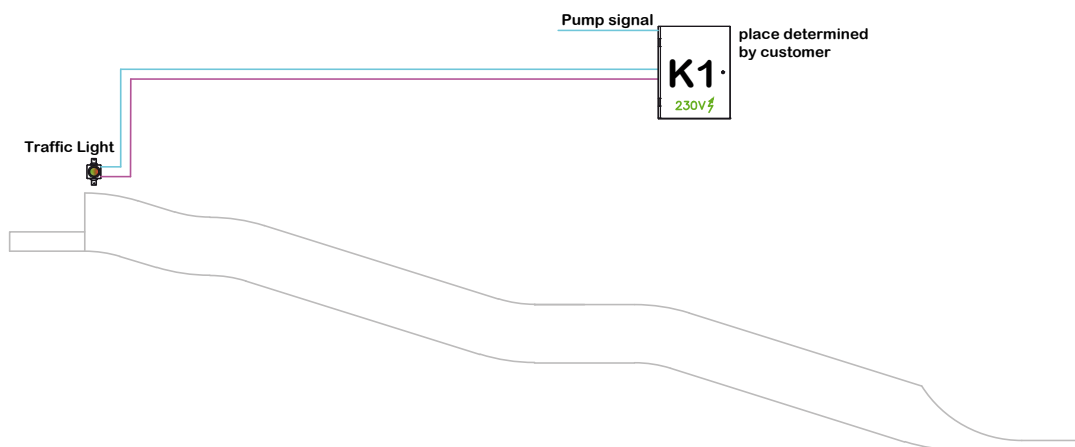
THE DUTCH WATERSLIDE EXPERIENCE



TrafficLight box module



TrafficLight front module



Cabinet sizes (the dimensions are not final and can be adjust where necessary)

K1 = 835mm x 635mm x 300mm - 750 Watts

Cable Specifications

— Databcable CAT 5 SF/UTP / MAX. 100 mtr.
— Powercable 2 x 2,5 mm² / max. 50 mtr.

SLIDE

THE DUTCH WATERSLIDE EXPERIENCE

www.islide.eu